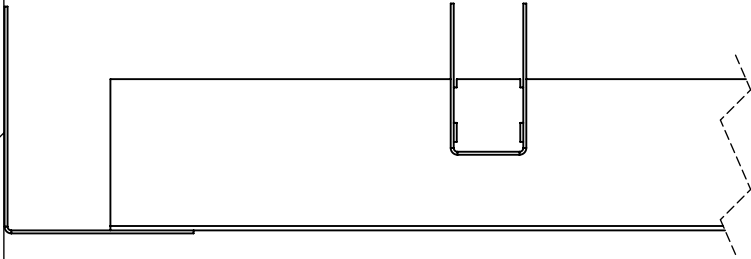
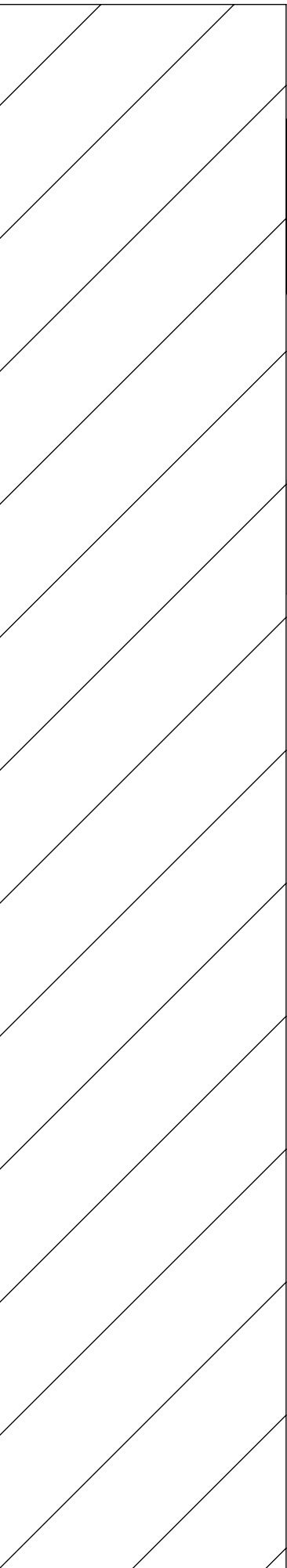
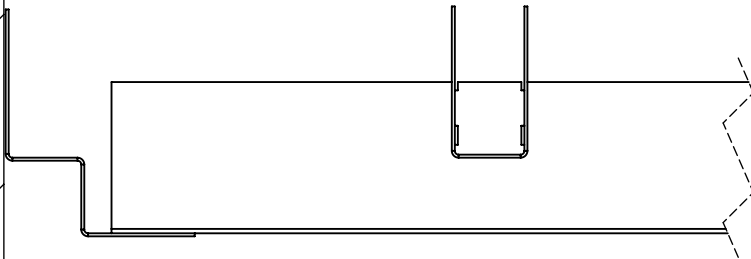


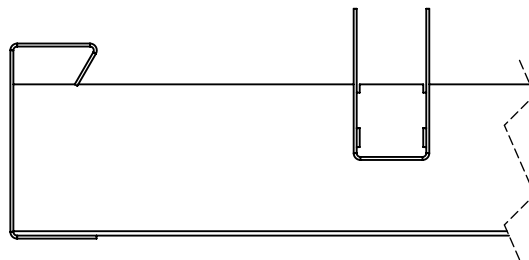
# DeltaCell-Line perimeter details



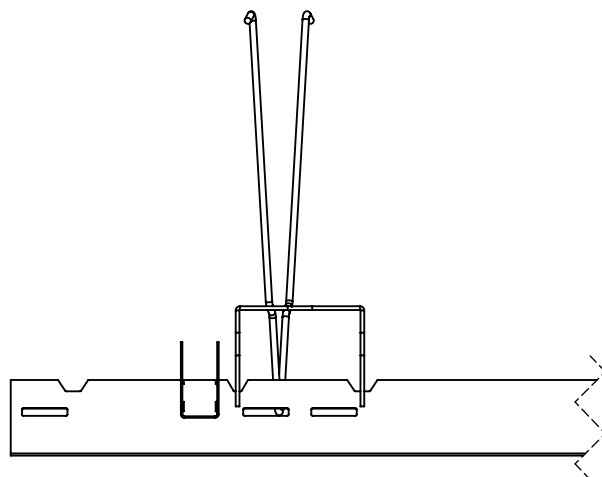
Wall angle



Double wall angle



Capping profile for free floating systems



Cantilevering detail