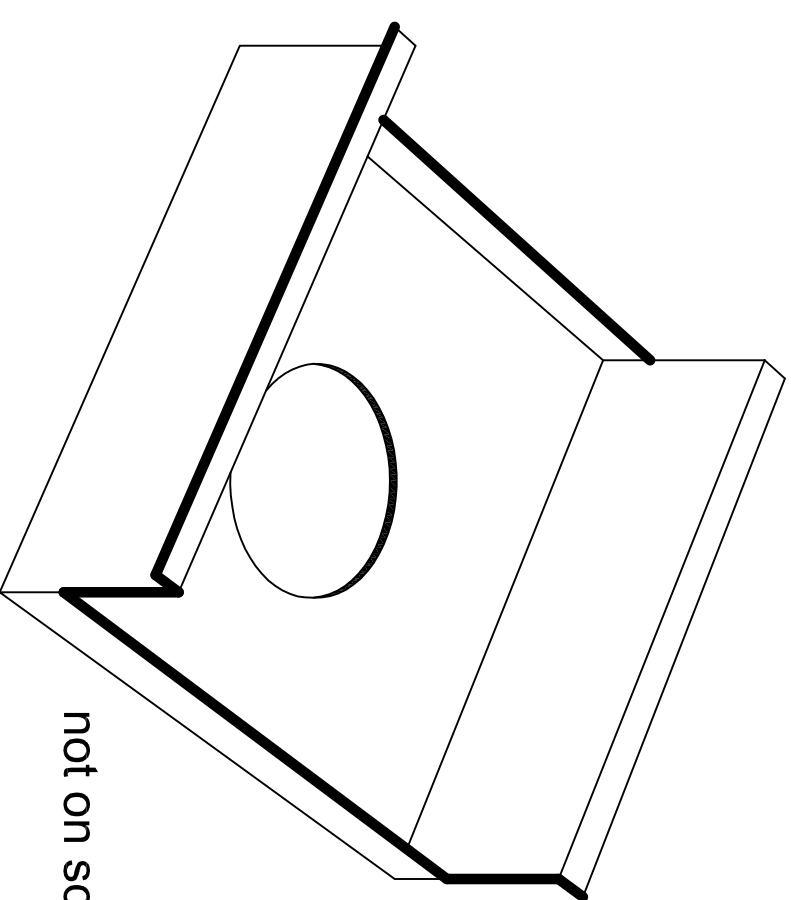
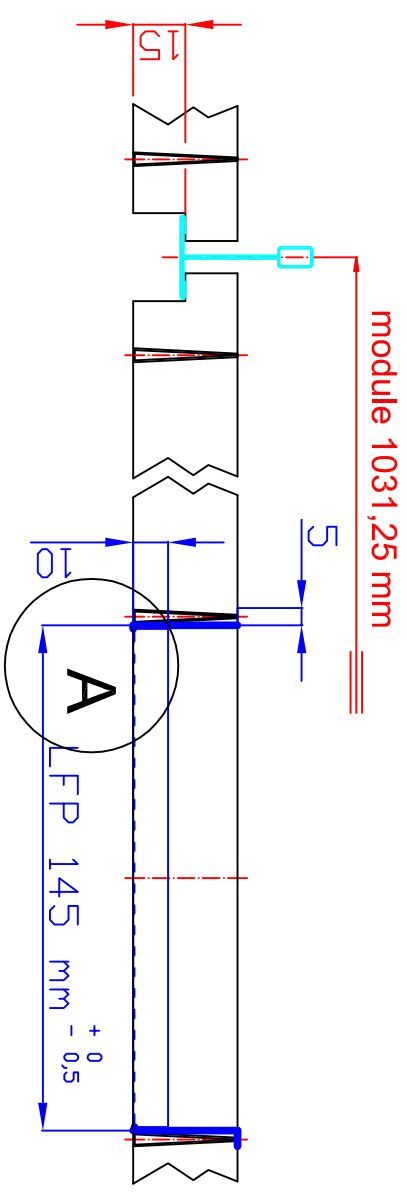
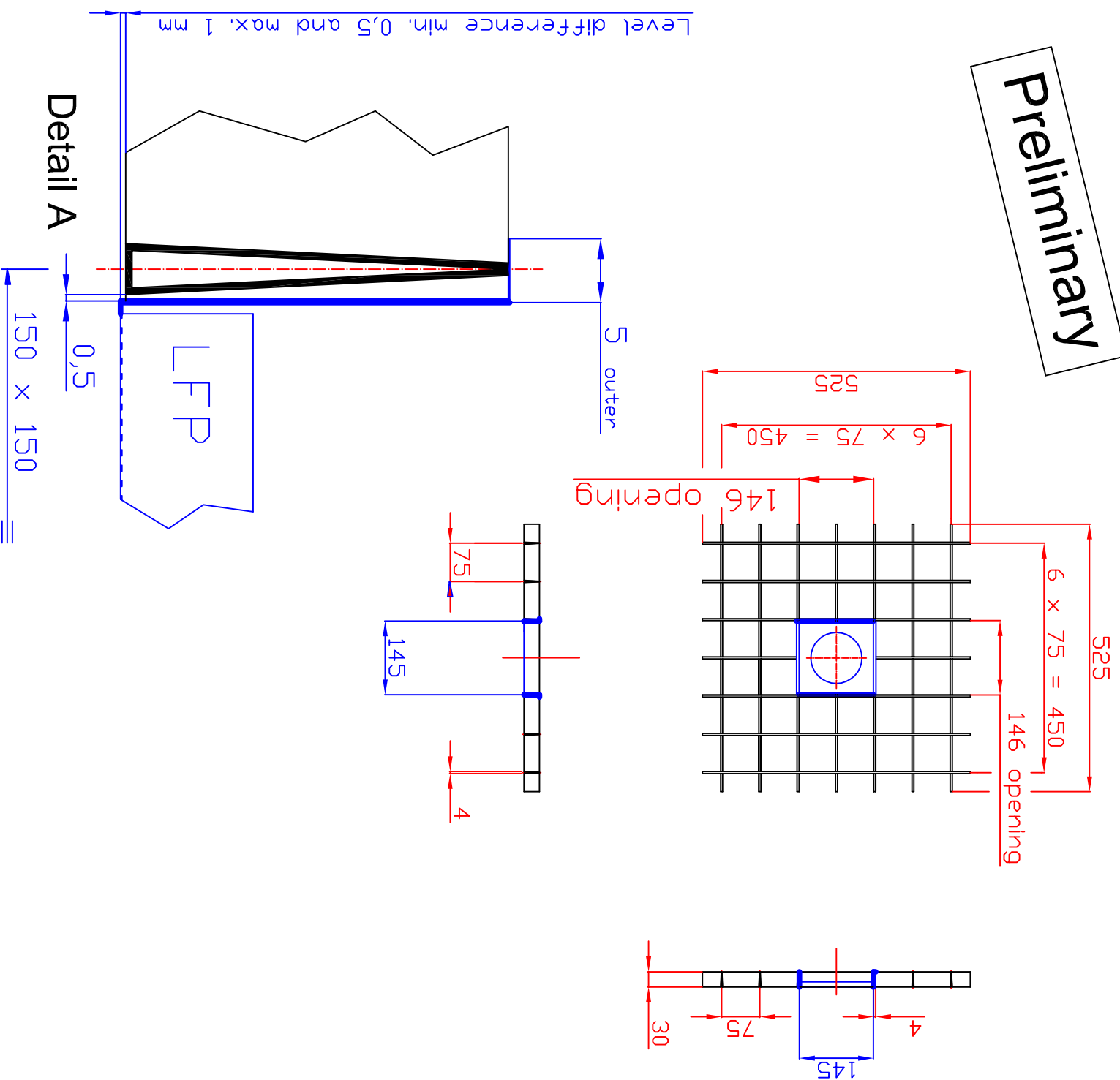


Preliminary



Product : Delta Lighting Fixture Plate
Material LFP : Zinc plated steel 0,60 mm
Colour : RAL 9016 and RAL 9006
Dimension : Multiples of a full cell

| | | | |
|-----------------------------------|--|--------------------------|------------|
| Project : Schiphol Airport | | Revision / date : | |
| Drawn by : R.A. | | A | 12-12-2013 |
| Date : 11-12-2013 | | | |
| Scale : | | | |
| Drawing name : | | | |
| LFP fixture Plate | | | |
| | | Drawing nr.: | |
| Arians International | | B.13.031.008/L2s | |